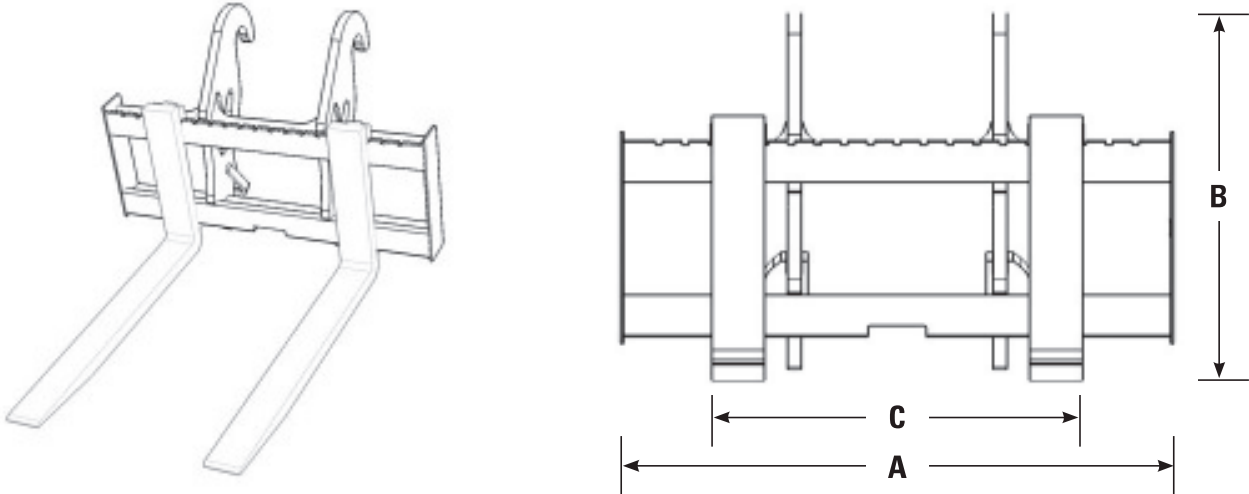


# Forks

## Pallet Forks

Pallet Forks are designed to meet a wide variety of material handling needs. Pallet Forks are well suited for moving bulky or palletized materials on construction and industrial sites and handling pallets of building materials. Straight and offset tines are offered for the pallet forks in 3 different lengths.



**Specifications.** The table below lists the general specifications for the forks and carriage.

Interface	Part No.	Compatibility	(A) Carriage Width		(B) Carriage Height		(C) Width Over Tines				Weight	
			mm	(in)	mm	(in)	Min		Max		kg	(lb)
Fusion	345-2417	924K/930K/938K	1524	(60)	1042	(41)	305	(12)	1550	(61)	354	(780)

The tines compatible with the carriage above are listed below.

Part No.	Type	Tine Length		Tine Width		Tine Thickness		Per Tine Load Capacity at Load Center		Weight	
		mm	(in)	mm	(in)	mm	(in)	kg	(lb)	kg	(lb)
371-2374	Offset Right	1220	(48)	150	(6)	60	(2.25)	4000	(8,750)	137	(301)
371-2375	Offset Left	1220	(48)	150	(6)	60	(2.25)	4000	(8,750)	137	(301)
360-3354	Offset Left	1370	(54)	150	(6)	60	(2.25)	4000	(8,750)	147	(323)
360-3355	Offset Right	1370	(54)	150	(6)	60	(2.25)	4000	(8,750)	147	(323)
371-2377	Offset Right	1524	(60)	150	(6)	60	(2.25)	4000	(8,750)	158	(348)
371-2376	Offset Left	1524	(60)	150	(6)	60	(2.25)	4000	(8,750)	158	(348)

**Note:** The tines listed above are not compatible with older carriages on G/H Series SWL and vice versa.